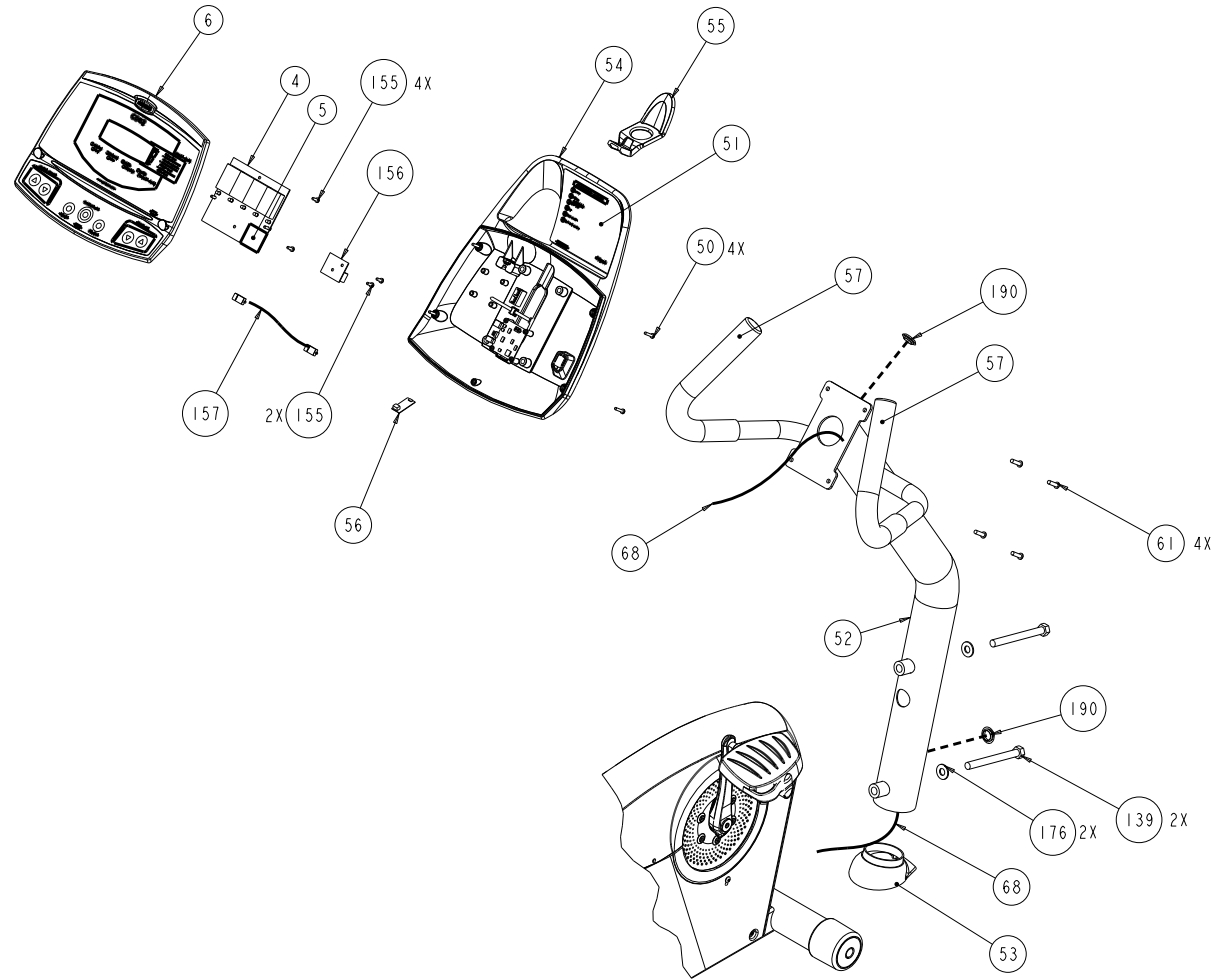
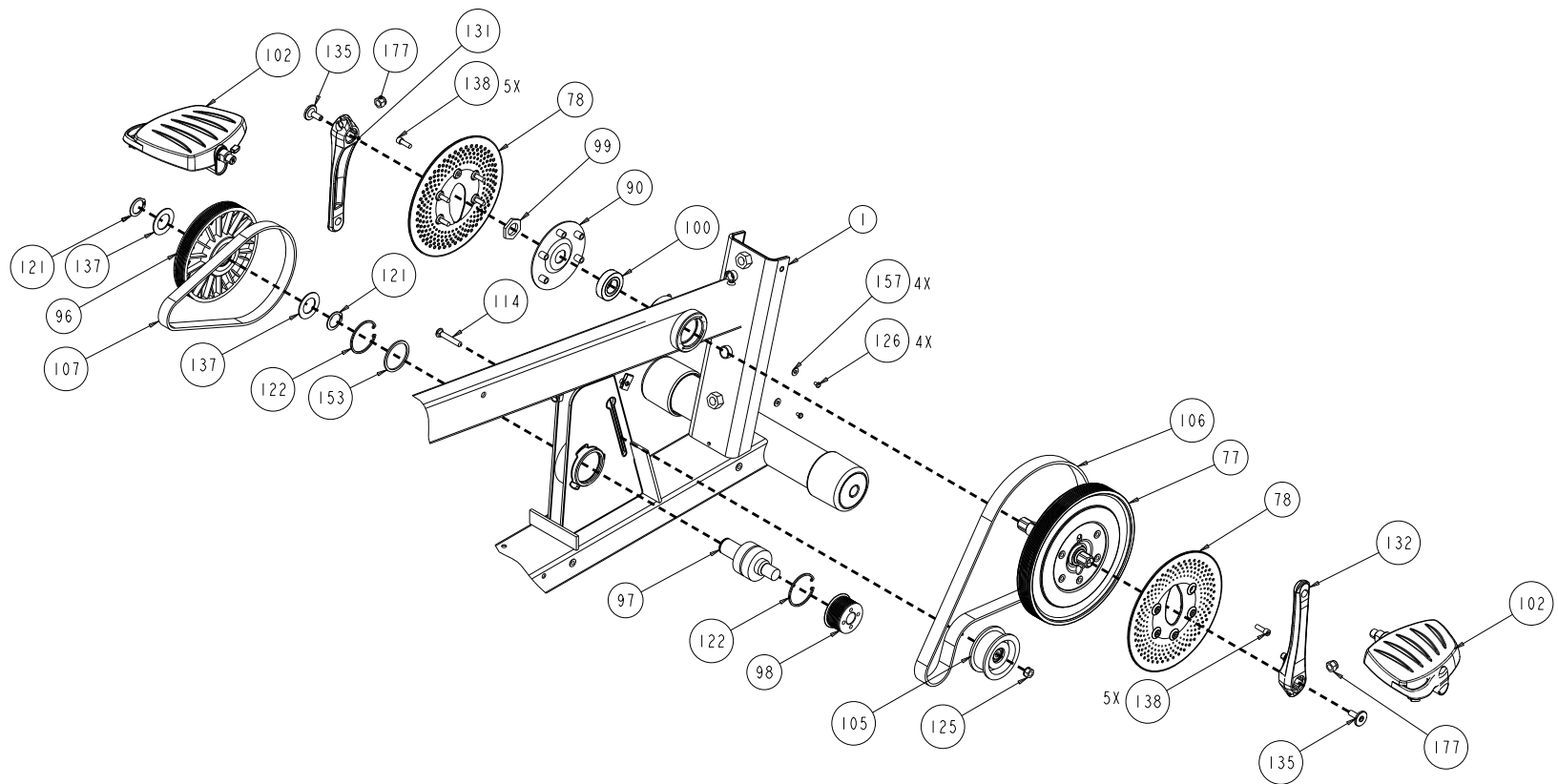


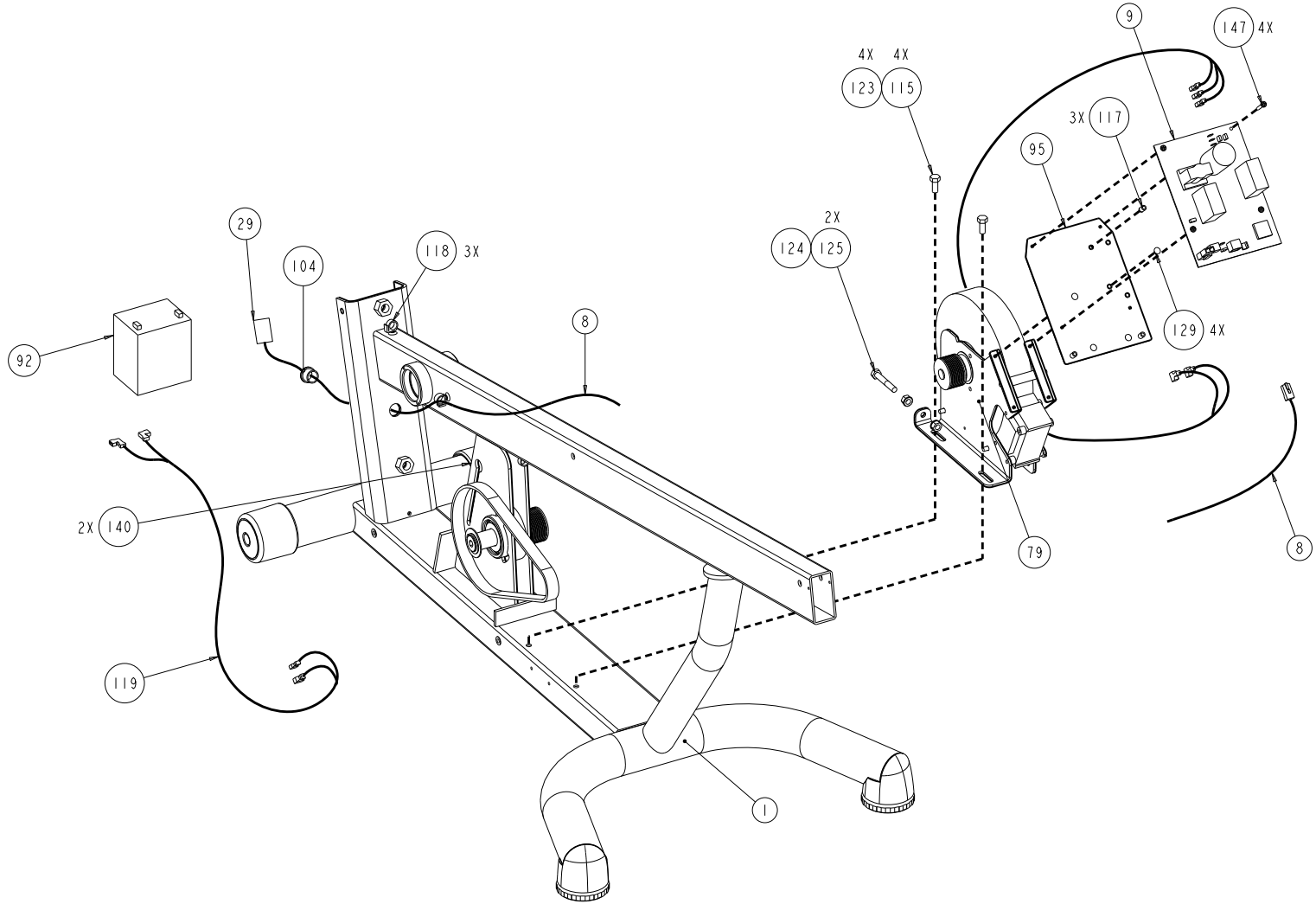
C842 RECUMBENT	P/N 45706-101	REV: N02
DRAWN BY: C THOMSON	DATE: 14 JUL 2009	SHEET 1 OF 8



C842 RECUMBENT	P/N 45706-101	REV: N02
DRAWN BY: C THOMSON	DATE: 14 JUL 2009	SHEET 2 OF 8

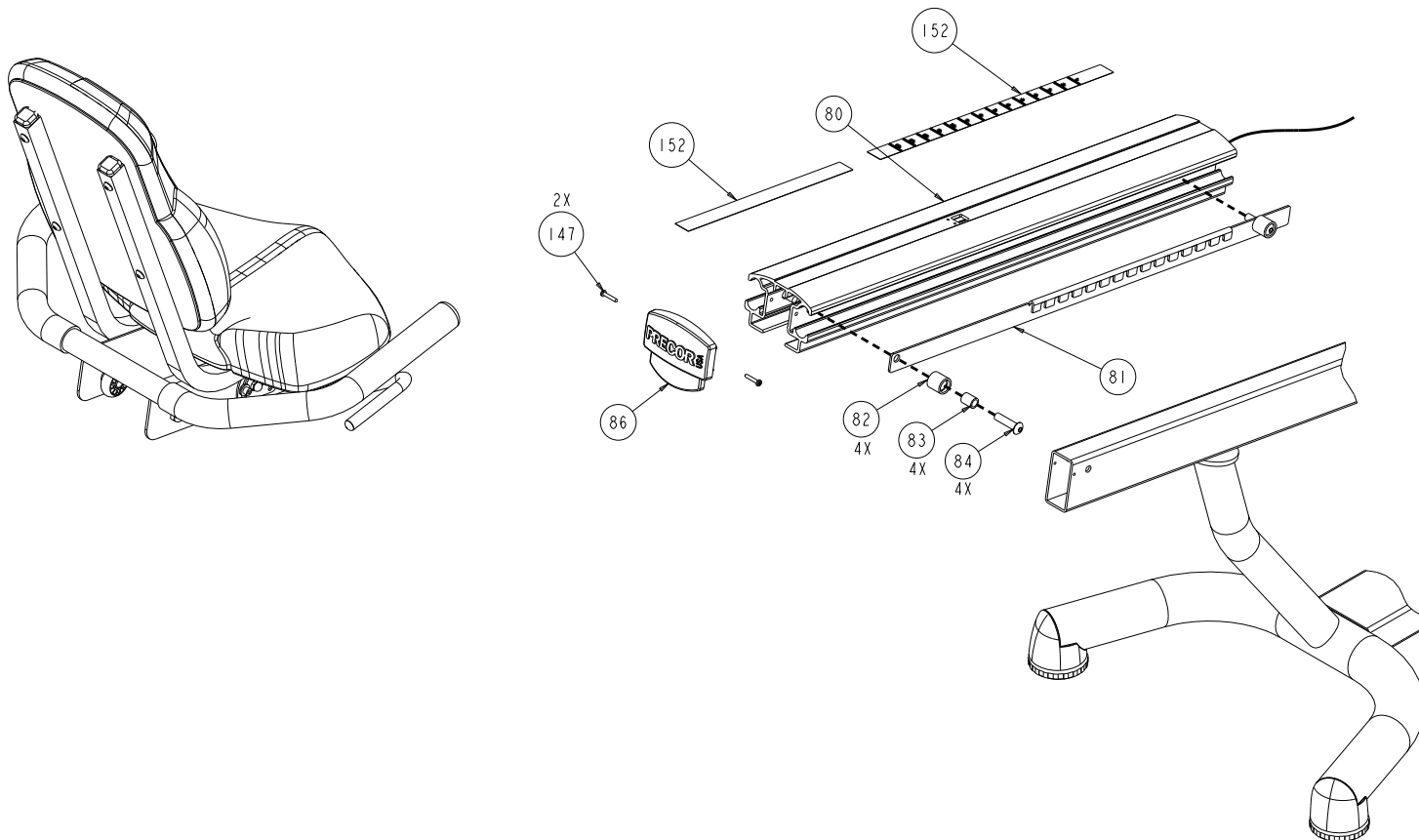


C842 RECUMBENT	P/N 45706-101	REV: N02
DRAWN BY: C THOMSON	DATE: 14 JUL 2009	SHEET 3 OF 8

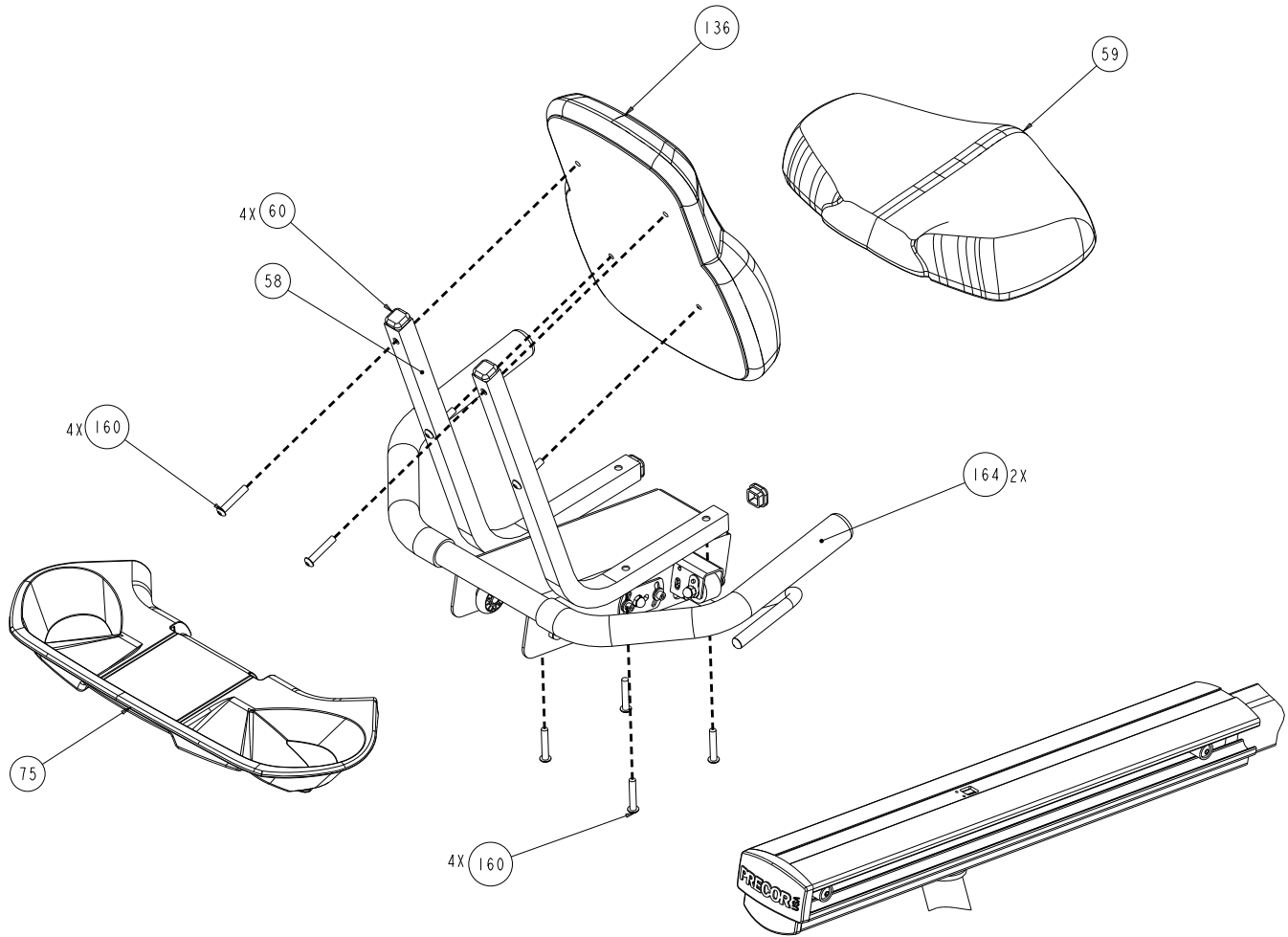


• OPTION KIT: OPCB10XCJ-101

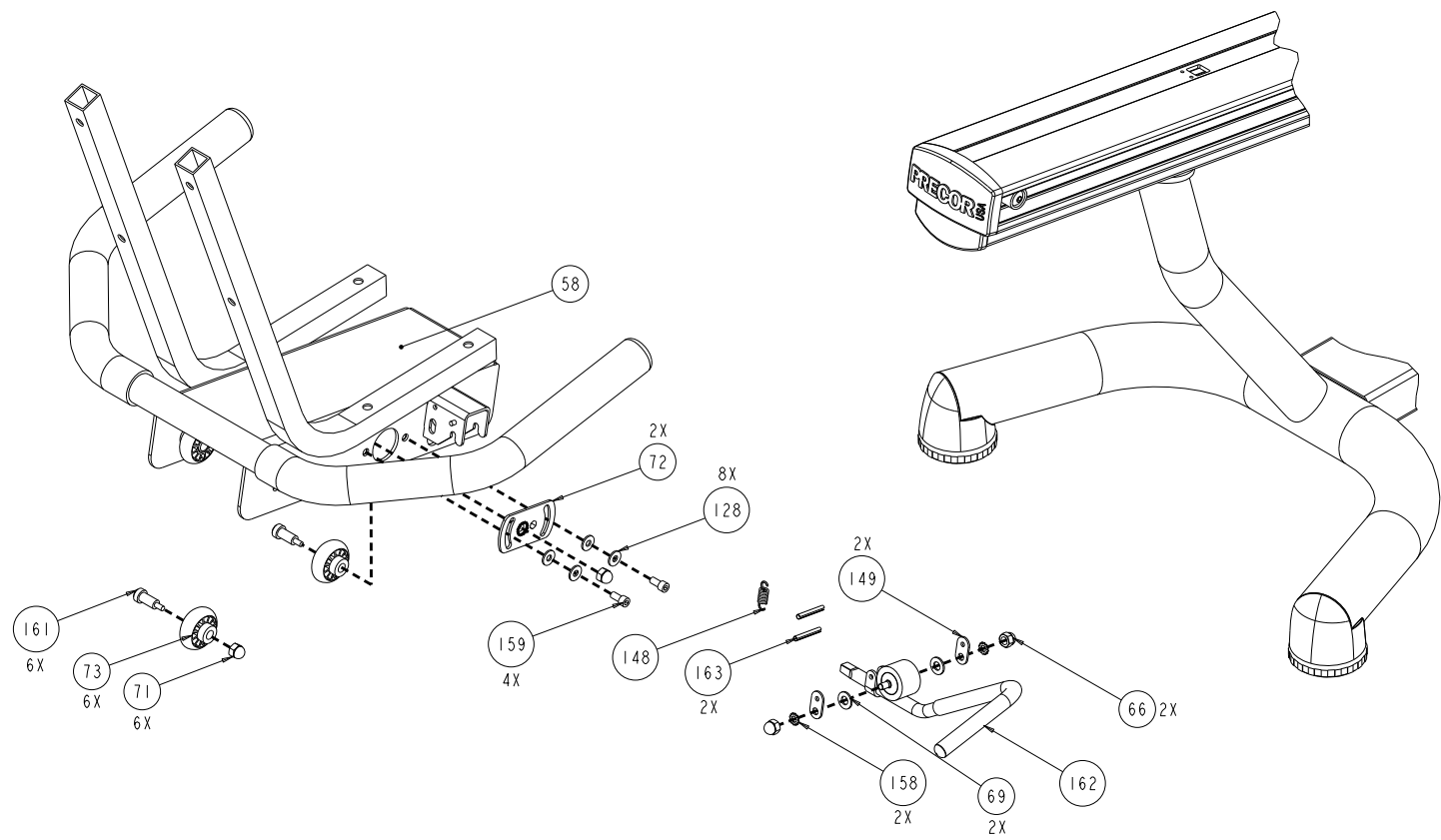
C842 RECUMBENT	P/N 45706-101	REV: N02
DRAWN BY: C THOMSON	DATE: 14 JUL 2009	SHEET 4 OF 8



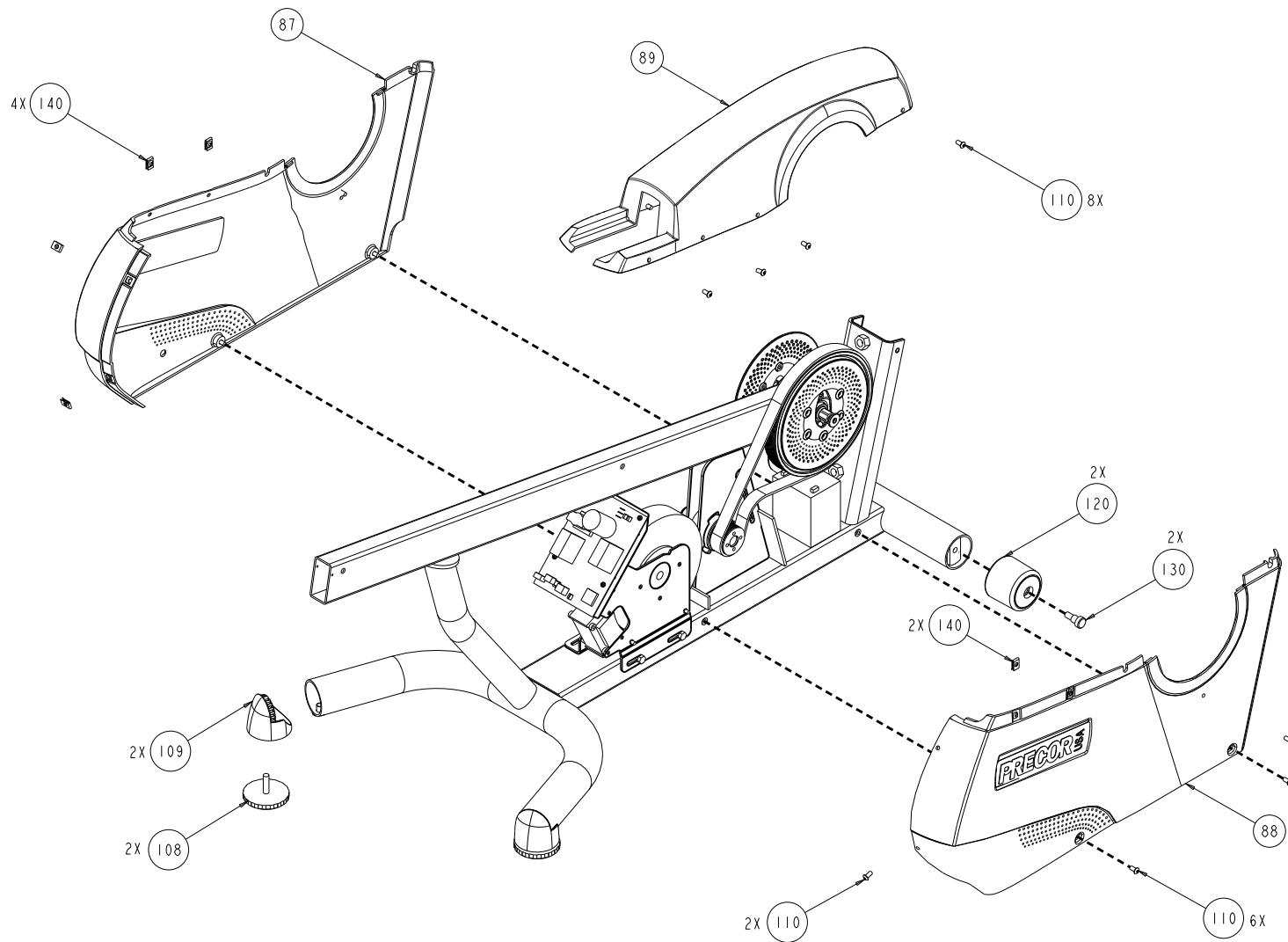
C842 RECUMBENT	P/N 45706-101	REV: N02
DRAWN BY: C THOMSON	DATE: 14 JUL 2009	SHEET 5 OF 8



C842 RECUMBENT	P/N 45706-101	REV: N02
DRAWN BY: C THOMSON	DATE: 14 JUL 2009	SHEET 6 OF 8



C842 RECUMBENT	P/N 45706-101	REV: N02
DRAWN BY: C THOMSON	DATE: 14 JUL 2009	SHEET 7 OF 8



C842 RECUMBENT	P/N 45706-101	REV: N02
DRAWN BY: C THOMSON	DATE: 14 JUL 2009	SHEET 8 OF 8

C842i (recumbent)(serial code NT, NY)

Part Number	Description	Bubble Number
45403-107	WELDMENT,FRAME,842I/846I,RECUMBENT,	1
48049-103	ASSY,PCA&SW,C842I,UPR,TD,W/CSAFE PO	4
48043-101	DISPLAY, ASSEMBLY, EN,C842I	6
44905-042	ASSY,CBL,MOD,8P8C,1-1,SILVER,42"	7
44905-042	ASSY,CBL,MOD,8P8C,1-1,SILVER,42"	8
48213-102	ASSY, PCA&SW,BIKE,SELF PWR,LWR	9
45475-211	CPU, PGMD, BIKE, SELF POWER 3-PHASE	27
11415-102	COUPLER,MOD,8P8C,INLINE,SNAP-IN	29
47377-111	LABEL, ACCESSORY TRAY, EN, C842I	51
45425-104	WELDMENT, DISPLAY SUPPORT, C842/C84	52
45512-101	SWEAT BIB	53
43179-104	BACKPLATE, DISPLAY, COMMERCIAL ,STO	54
43329-102	WIRE FORM,PLASTIC,COMMERCIAL	55
49725-101	RECEIVER, WIRELESS, HEART RATE, HIG	56
38580-102	GRIP,HANDLEBAR	57
45453-105	WELDMENT, RECUMBENT SEAT, 846R, PAI	58
45457-102	SEAT, BOTTOM, C846R	59
11311-105	ENDCAP, REC TUBE, BLACK PLASTIC, 1.	60
TAKN025-100	SCREW,BTHD,1/4-20X1,BLK ZN	61
KADCN025-022	NUT,ACORN,1/4-20	66
WBCN031-007	WASHER,FLT,5/16X.688X.065, ZN	69
KBFCN031-053	NUT,ACORN,5/16-18, CENTERLOCK	71
39478-104	PLATE, ECCENTRIC	72
38578-102	WHEEL,846R	73
45629-102	ACCESORY TRAY, BIKE, RECUMBENT,STON	75
45439-104	ASSY,CRANK, INPUT,INTEGRATED BEARIN	77
45747-101	CRANK COVER, SELF-POWERED BIKE	78
45436-101	ASSEMBLY,SP,GENERATOR,BIKE	79
38625-104	EXTRUSION,RECUMBENT SEAT,C842/C846R	80
38623-104	RAIL LOCK, C842/C846R	81
38624-103	SEAT STOP,846R	82
39388-201	SPACER,SEAT STOP,ZN COATING	83
TATN038-150	SCREW,BTHD,3/8-16X1-1/2,BLK SHARPER	84
38622-104	COVER,EXTRUSION CAP,846R,STONE GREY	86
49308-101	ASSEMBLY, COVER W/LABELS,BIKE,LEFT,	87
49308-102	ASSEMBLY, COVER W/LABELS,BIKE,RIGHT	88
45511-102	COVER,TOP, BIKE, RECUMBENT,STONE GR	89
45842-101	ASSY, LOCKRING, SELF-POWERED BIKE	90
46983-101	BRACKET, BATTERY, SELF POWERED BIKE	91
12258-040	BATTERY,SLA,12V,4AH,.187 TABS	92
45438-101	BRACKET,BOARD, SELF POWERED, BIKE	95
58025-101	CS KIT, SECONDARY SHEAVE/AXLE 84X/8	96
45450-105	SHEAVE, SECONDARY AXLE	98
45445-101	NUT, CEASE, CRANK	99
45441-105	INTEGRATED ACORN NUT, BEARING,BALL,	100
58017-102	PEDAL KIT, RIGHT AND LEFT	102
46824-101	STRAP, PEDAL,846/842	102.01
10178-102	BUSHING, SNAP (SB-750-625)	104
46825-101	PULLEY,IDLER,FLANGED	105

10217-137	BELT, DRIVE, 420J10 POLY V	106
10217-136	BELT, DRIVE, POLY V 260J8	107
39916-103	FOOT, ADJUSTING,NO LOGO	108
45743-101	COVER, ADJUSTABLE FOOT, 842/846	109
PADCN019-038	SCREW,S/T,#10-32X3/8,WSHHXHD,ZN TRI	111
BACN031-175	BOLT, CARRIAGE, 5/16-18 X 1.75	114
WBANN034-013	WASHER,FLAT,ID=11/32,OD3/4,TH=.125,	115
12289-806	SPCR,SELFRETAIN,NYLN,#8(M-4),3/8"	117
12414-101	CABLE CLAMP INSERT,SNAP IN	118
45250-040	ASSY,CBL,2C,18AWG,QK DISC,40"	119
45742-101	WHEEL,846/842	120
ABHN025-002	RING, RETAINING, 25MM EXTERNAL	121
ADHN052-002	RING, RETAINING, INTERNAL (52MM)	122
HEWN031-075	SCREW,HEXHD,5/16-18X.75LG,GR8,YZN	123
HJCN031-200	SCREW,HEX,5/16-18X2.0 ,ZINC,FULLY T	124
KGCN031-027	LOCKNUT,STARWASHER,5/16-18,1/2	125
MGCN016-025	SCREW,MCH,8-32X1/4,PANHD,PHIL,	126
WNZN026-006	WASHER,FLT,1/4X.625X.063,BLK CVS	128
PGKN016-050	SCREW,S/T,#8X1/2,TRS,PHIL,BLK	129
RATN038-050	SCREW,SHLD,3/8 X 1/2 ,HEXSC,BLK SH	130
49020-101	CRANK, LH, SP BIKE,PRESS FIT	131
49020-102	CRANK, RH, SP BIKE,PRESS FIT	132
WAENN032-003	WASHER,INSULATING,PHENOLIC	133
CAKN038-125	SCREW,SKHD,3/8-16X1.25,BLK ZN	134
45838-101	SCREW, CUSTOM, CRANK, M8 X 22L, SP	135
38582-102	SEAT, BACK, C846R	136
12089-103	26MM THRUST BEARING IGUS,LTM-2644-0	137
CATN025-075	SCREW,SKHD,1/4-20 X 3/4,BLK SHARPER	138
HCTN050-500	SCREW,HEX,GR5,1/2-13X5,BLK SHARPERI	139
12577-101	MULTI-THREAD U-NUT 1/4-20 ITW CIP	140
10589-108	SPRING, EXT .375 X 1.00	148
43704-101	LOCK, SHAFT	149
30018-101	LABEL,SEAT ADJUST,C846/C842 NUMBERE	152
45718-102	LABEL,SEAT ADJUST,C846/C842 BLANK	152.01
WAKNN044-004	WASHER, WAVE, SSB-0205	153
MGCN016-038	SCREW,MCH,8-32X3/8,PANHD,PHIL,	155
WACN019-005	WASHER, FLT, #10X.500X.049,ZN	157
WAMCN025-002	WASHER, LOCK, EXT TOOTH, 1/4	158
CATN025-050	SCREW,SKHD,1/4-20X0.50,BLK SHARPERI	159
TAMN031-175	SCREW,BTHD,5/16-18X1-3/4,ZN (MECH P	160
TATN031-175	SCREW,BTHD,5/16-18X1-3/4,BLK SHARPE	160
RANN031-075	SCREW,SHLD,5/16 X 3/4,HEXSC,	161
45456-103	ASSY, HANDLE, SEAT ADJUSTMENT	162
LDTN018-138	PIN, ROLL, 3/16 X 1 3/8, BLACK SHAR	163
38580-116	GRIP HANDLEBAR,PLASTI-SOL,LH C842/C	164
WBZN050-008	WASHER, FLAT,1/2,.086 BLK CVS	176
47718-101	HOLE PLUG, PLASTIC .875 X.03-.08	190
45716-101	KIT,HARDWARE,C846I/C842I	200
58022-102	CRANKARM REPLACEMENT KIT	250
45704-106	LITERATURE KIT, C842I	999